

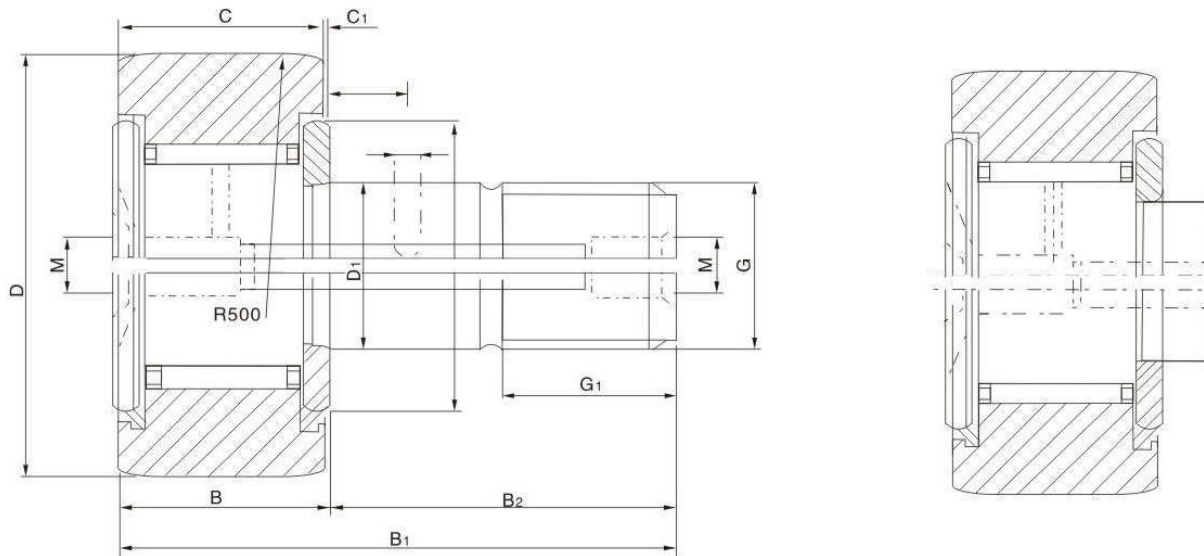
CF/KR Series Interchangeable Cam followers / Needle roller bearings



Technical data

| Designation | | Eccentric (e) | Basic load rating | | Limits of speed (rpm) | | Mass (g) |
|-------------|------|---------------|-------------------|-----------|-----------------------|--------------|----------|
| | | | Dynamic C | Static Co | With cage | Full rollers | |
| CF3 | KR10 | 0.2 | - | - | - | - | - |
| CF4 | KR12 | 0.25 | - | - | - | - | - |
| CF5 | KR13 | 0.25 | 280 | 180 | 29 000 | - | 16 |
| CF6 | KR16 | 0.25 | 270 | 170 | 25 000 | 11 000 | 18 |
| CF8 | KR19 | 0.25 | 300 | 210 | 20 000 | 8 700 | 28 |
| CF10 | KR22 | 0.3 | 410 | 320 | 17 000 | 7 200 | 44 |
| CF10-1 | KR26 | 0.3 | 410 | 320 | 17 000 | 7 200 | 58 |
| CF12 | KR30 | 0.3 | 590 | 450 | 14 000 | 5 800 | 87 |
| CF12-1 | KR32 | 0.3 | 590 | 450 | 14 000 | 5 800 | 90 |
| CF16 | KR35 | 0.35 | 850 | 760 | 10 000 | 4 500 | 169 |
| CF18 | KR40 | 0.35 | 1 180 | 1 220 | 8 500 | 3 800 | 247 |
| CF20 | KR47 | 0.35 | 1 630 | 1 690 | 7 000 | 3 400 | 386 |
| CF20-1 | KR52 | 0.35 | 1 630 | 1 690 | 7 000 | 3 400 | 461 |
| CF24 | KR62 | 0.4 | 2 160 | 2 210 | 6 500 | 2 900 | 790 |
| CF24-1 | KR72 | 0.4 | 2 160 | 2 210 | 6 500 | 2 900 | 1040 |
| CF30 | KR80 | 0.5 | 2 830 | 3 700 | 5 000 | 2 400 | 1550 |
| CF30-1 | KR85 | 0.5 | 2 830 | 3 700 | 5 000 | 2 400 | 1740 |
| CF30-2 | KR90 | 0.5 | 2 830 | 3 700 | 5 000 | 2 400 | 1950 |

Overall dimensions



| Designation | | Dimensions (mm) | | | | | | | | | | |
|-------------|------|-----------------|----|-----|----|----------|----|-------|--------|------|----|--------|
| | | D* | C | C1 | D1 | D1 | G1 | B max | B1 max | B2 | B3 | rs min |
| CF3 | KR10 | 10 | 7 | 0.5 | 3 | M3x0.5 | 5 | 8 | 17 | 9 | - | 0.3 |
| CF4 | KR12 | 12 | 8 | 0.5 | 4 | M4x0.7 | 6 | 9 | 20 | 11 | - | 0.3 |
| CF5 | KR13 | 13 | 9 | 0.5 | 5 | M5x0.8 | 7 | 10 | 23 | 13 | - | 0.3 |
| CF6 | KR16 | 16 | 11 | 0.6 | 6 | M6x1 | 8 | 12.2 | 28.2 | 16 | - | 0.3 |
| CF8 | KR19 | 19 | 11 | 0.6 | 8 | M8x1.25 | 10 | 12.2 | 32.2 | 20 | - | 0.3 |
| CF10 | KR22 | 22 | 12 | 0.6 | 10 | M10x1.25 | 12 | 13.2 | 36.2 | 23 | - | 0.3 |
| CF10-1 | KR26 | 26 | 12 | 0.6 | 10 | M10x1.26 | 12 | 13.2 | 36.2 | 23 | - | 0.3 |
| CF12 | KR30 | 30 | 14 | 0.6 | 12 | M12x1.5 | 13 | 15.2 | 40.2 | 25 | 6 | 0.6 |
| CF12-1 | KR32 | 32 | 14 | 0.6 | 12 | M12x1.5 | 13 | 15.2 | 40.2 | 25 | 6 | 0.6 |
| CF16 | KR35 | 35 | 18 | 0.8 | 16 | M16x1.5 | 17 | 19.6 | 52.1 | 32.5 | 8 | 0.6 |
| CF18 | KR40 | 40 | 20 | 0.8 | 18 | M18x1.5 | 19 | 21.6 | 58.2 | 36.5 | 8 | 1,0 |
| CF20 | KR47 | 47 | 24 | 0.8 | 20 | M20x1.5 | 21 | 25.6 | 66.1 | 40.5 | 9 | 1,0 |
| CF20-1 | KR52 | 52 | 24 | 0.8 | 20 | M20x1.5 | 21 | 25.6 | 66.1 | 40.5 | 9 | 1,0 |
| CF24 | KR62 | 62 | 29 | 0.8 | 24 | M24x1.5 | 25 | 30.6 | 80.1 | 49.5 | 11 | 1,0 |
| CF24-1 | KR72 | 72 | 29 | 0.8 | 24 | M24x1.5 | 25 | 30.6 | 80.1 | 49.5 | 11 | 1,0 |
| CF30 | KR80 | 80 | 35 | 1 | 30 | M30x1.5 | 32 | 37 | 100 | 63 | 15 | 1,0 |
| CF30-1 | KR85 | 85 | 35 | 1 | 30 | M30x1.5 | 32 | 37 | 100 | 63 | 15 | 1,0 |
| CF30-2 | KR90 | 90 | 35 | 1 | 30 | M30x1.5 | 32 | 37 | 100 | 63 | 15 | 1,0 |